

WINSTAR Display

OLED SPECIFICATION

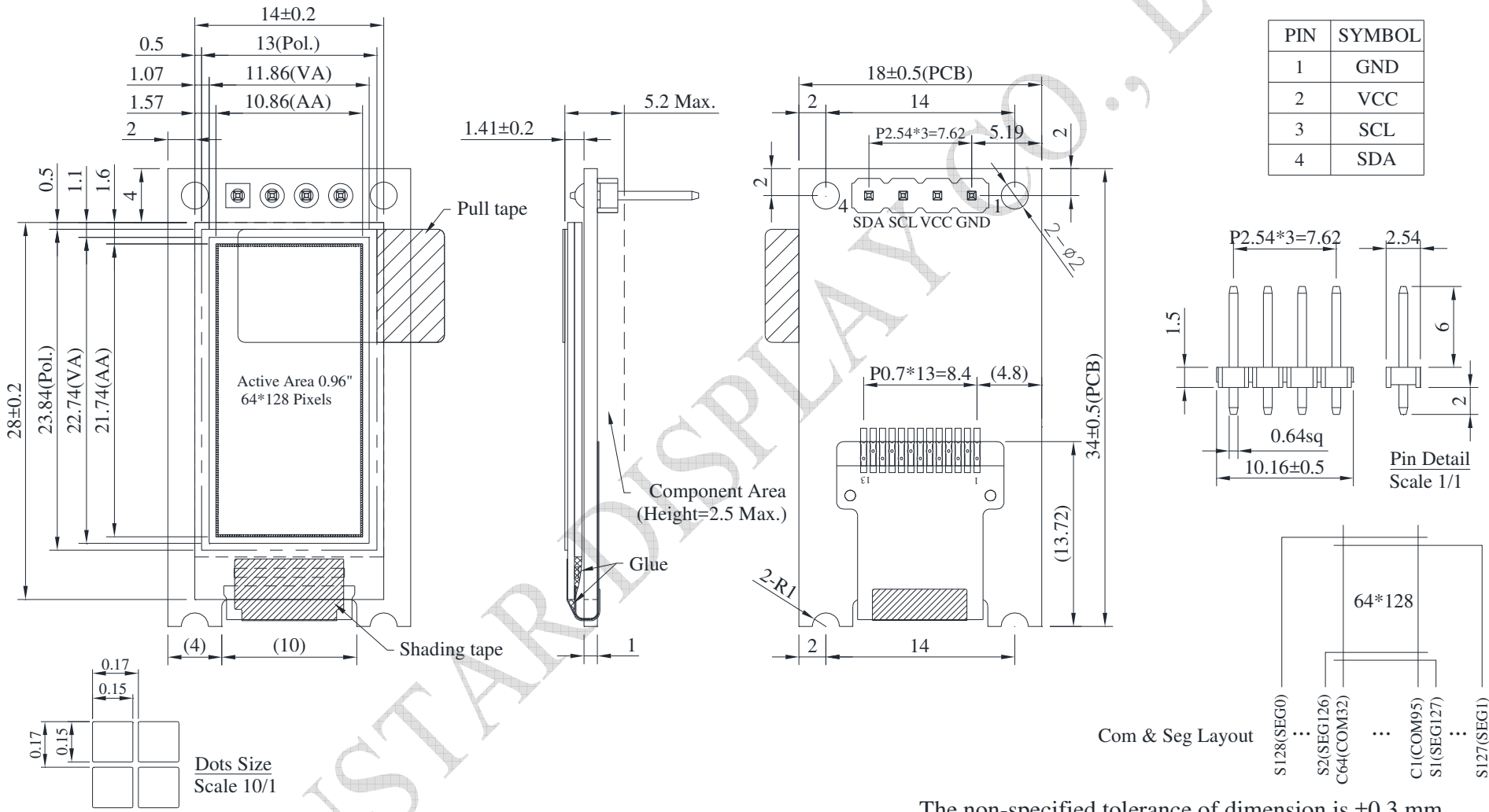
Model No:

WEA064128A

General Specification

Item	Dimension	Unit
Dot Matrix	64 x 128 Dots	—
Module dimension	34.0 × 18.0 × 1.41	mm
Active Area	10.86 × 21.74	mm
Pixel Size	0.15 × 0.15	mm
Pixel Pitch	0.17 × 0.17	mm
Display Mode	Passive Matrix	
Display Color	Monochrome	
Drive Duty	1/64 Duty	
IC	SH1107	
Interface	I2C	
Size	0.96 inch	

Contour Drawing & Block Diagram



PIN	SYMBOL
1	GND
2	VCC
3	SCL
4	SDA

The non-specified tolerance of dimension is ± 0.3 mm .

Interface Pin Function

No.	Symbol	Function
1	GND	Ground
2	VCC	Power supply input.
3	SCL	The serial clock input.
4	SDA	The serial data input/output.

Absolute Maximum Ratings

Parameter	Symbol	Min	Max	Unit
Supply Voltage for Logic	VCC	-0.3	3.6	V
Operating Temperature	TOP	-30	+70	°C
Storage Temperature	TSTG	-30	+70	°C

Electrical Characteristics

DC Electrical Characteristics

Item	Symbol	Condition	Min	Typ	Max	Unit
Supply Voltage for Logic	VCC	—	1.65	3.0	3.3	V
Input High Volt.	VIH	—	$0.8 \times VCC$	—	VCC	V
Input Low Volt.	VIL	—	0	—	$0.2 \times VCC$	V
Output High Volt.	VOH	—	$0.8 \times VCC$	—	VCC	V
Output Low Volt.	VOL	—	0	—	$0.2 \times VCC$	V
50% Checkerboard operating Current	ICC	VCC=3V	—	25	50	mA