

WINSTAR Display

OLED SPECIFICATION

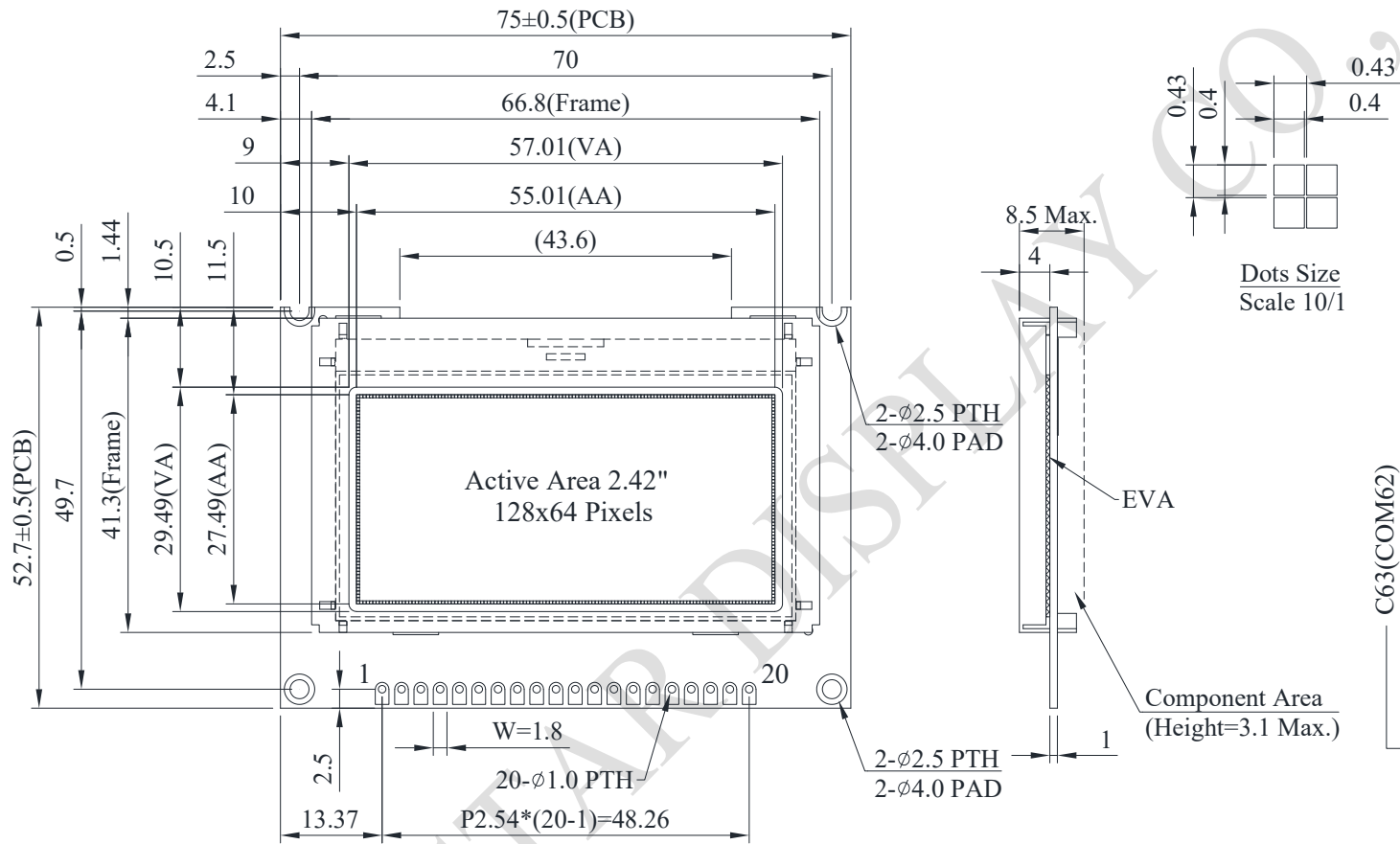
Model No:

WEP012864AJ

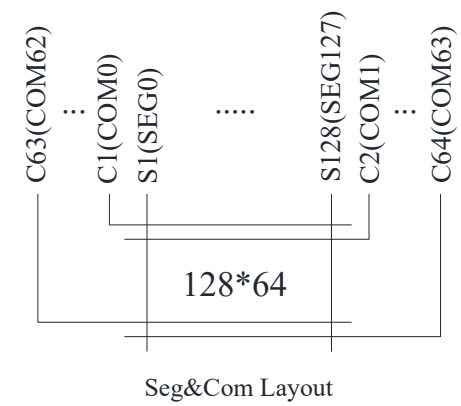
General Specification

Item	Dimension	Unit
Dot Matrix	128 x 64	—
Module dimension	75.0 × 52.7 × 8.5(Max).	mm
Active Area	55.01 × 27.49	mm
Pixel Size	0.40 × 0.40	mm
Pixel Pitch	0.43 × 0.43	mm
Display Mode	Passive Matrix	
Display Color	Monochrome	
Drive Duty	1/64 Duty	
IC	CH1116	
Interface	RS232 (Baud rate:115200)	
Size	2.42 inch	

Contour Drawing & Block Diagram



PIN	SYMBOL
1	VDD
2	VSS
3	MCU_RESET
4	RX
5	TX
6~20	NC



The non-specified tolerance of dimension is ±0.3mm.

Interface Pin Function

No.	Symbol	Function
1	VDD	Power supply input
2	VSS	Ground.
3	MCU_RESET	MCU hardware reset input.3.3V~5V This pin is not used and should be open.
4	RX	RS-232 Receive
5	TX	RS-232 Transmit
6~20	NC	No connection.

Absolute Maximum Ratings

Parameter	Symbol	Min	Max	Unit
Supply Voltage for Logic	VDD	-0.3	8	V
Operating Temperature	TOP	-40	+80	°C
Storage Temperature	TSTG	-40	+85	°C

Electrical Characteristics

DC Electrical Characteristics

Item	Symbol	Condition	Min	Typ	Max	Unit
Supply Voltage for Logic	VDD	—	4.8	5.0	8.0	V
Display 50% Pixel on	IDD	VDD =5V	—	60	120	mA